

WINNERS ONLY®

Assembly Instruction



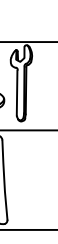

DJ3450S

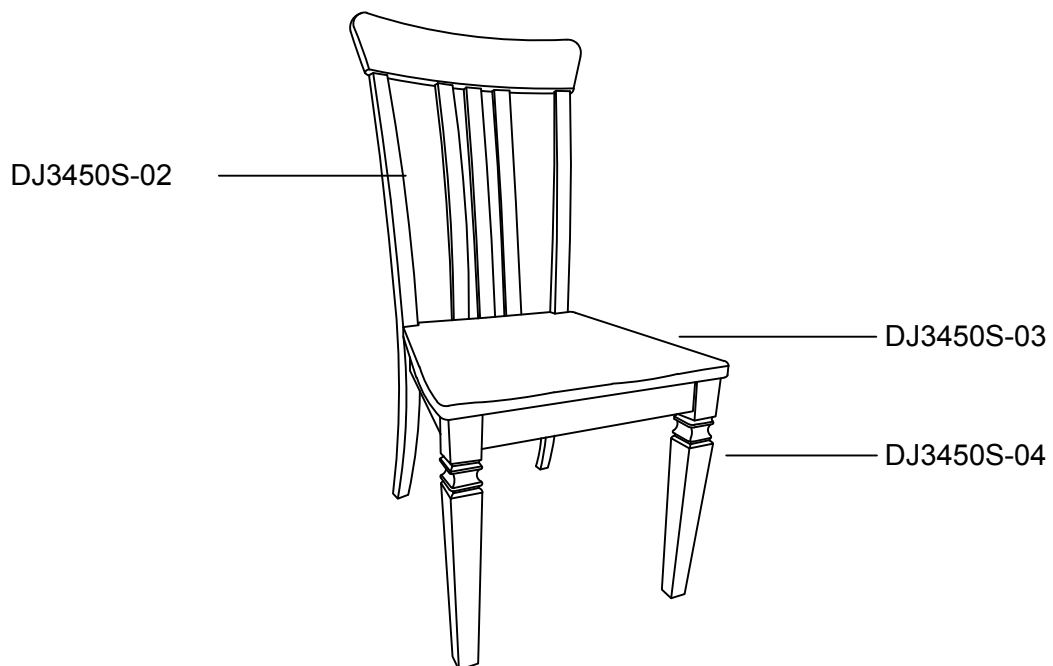
Caution: Please read instructions thoroughly before unpacking assembly parts. Sharp, exposed staple tips can cause injury, therefore, for your protection, please remove any exposed staples used in packing.

Please keep all hardware parts out of the reach of children.

- 1) We recommend that you should assemble this product with the assistance of another person; this will make assembly easier, and will help to eliminate damage to the product or injury to person during assembly.
- 2) Be sure to check all packing materials carefully for small parts that may have come loose inside the carton during shipment.
- 3) Please do not over tighten screws or bolts.
- 4) Please put all parts on a non-abrasive floor before assembly, and follow the assembly steps to assemble your newly purchased product correctly and efficiently.

PARTS LIST

PART NO	FIGURE	DESCRIPTION	QTY
DJ3450S-01		Hardware Bag	1 Pc
DJ3450S-02		Chair Back	1 Pc
DJ3450S-03		Wood Seat	1 Pc
DJ3450S-04		Front Leg	2 Pcs

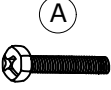
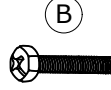
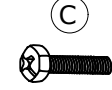
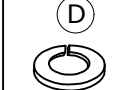
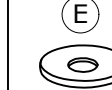
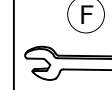


WINNERS ONLY®

Assembly Instruction

DJ3450S

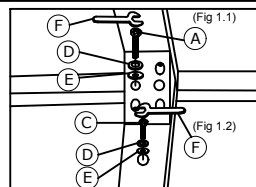
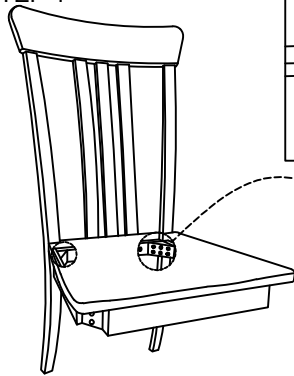
HARDWARE PARTS :

 Hex. Bolt M6 x 80mm 4 pcs	 Hex. Bolt M6 x 60mm 4 pcs	 Hex. Bolt M6 x 40mm 2 pcs	 Lock Washer 10 pcs	 Flat Washer 10 pcs	 Spanner 10mm 1 pc
--	--	--	--	--	---

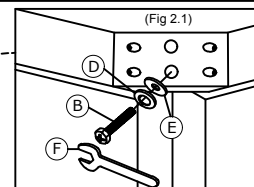
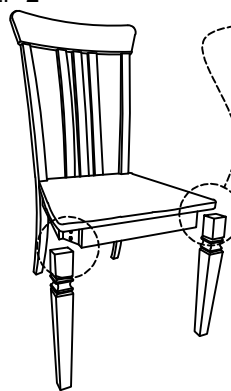
Step 1: Attached the Wood Seat to the chair back using the provided hardware as shown on Fig. 1.1 and Fig. 1.2.

Step 2: Attached Front Leg to Wood Seat using the provided hardware as shown in Fig. 2.1.

STEP 1

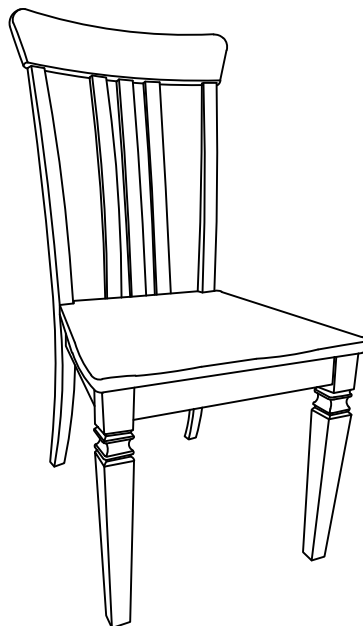


STEP 2



STEP 3

Turn the chair to standing position. Check it's balance and tighten all screw and bolt to complete the assembly.



Assembly is now complete. Thank you for your purchase

CARE INSTRUCTION

- Be sure to use the same type of publish consistently. Your furniture will appear cloudy or streaky if oil based or wax based polishes are interchanged.
- Spray your furniture surface eventl. Wipe in a circular motion with a soft clean cloth.